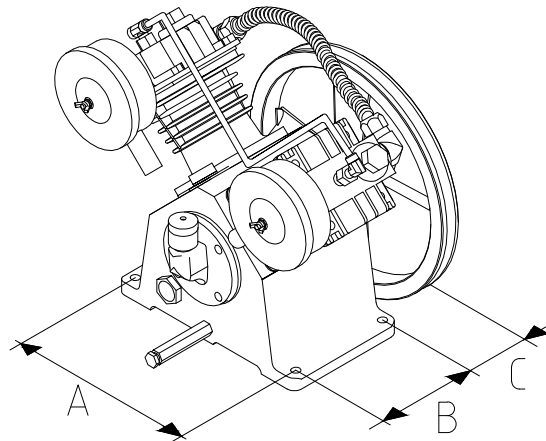


(SINO-USA)
 DAFENG LIDA COMPRESSED AIR SYSTEMS CO., LTD

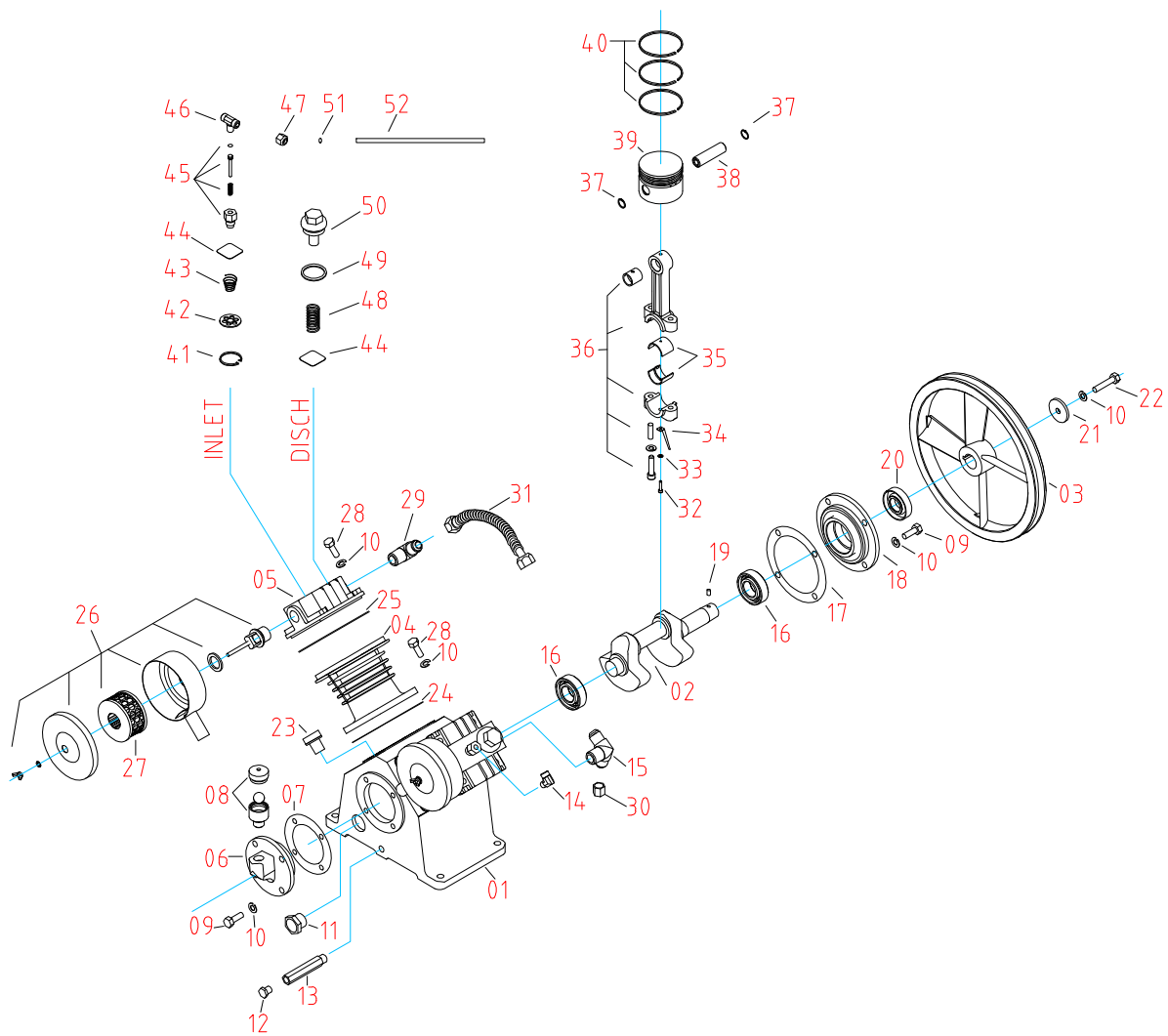


Dimensions		
A	inch	8.74
	mm	222
B	inch	4.72
	mm	120
C	inch	3.07
	mm	78
L (Shape)	inch	11.02
	mm	280
W (Shape)	inch	15.35
	mm	390
H (Shape)	inch	13.39
	mm	340
Weight	lb	49.58
	kg	22.50

GS12 Technical Data		
Motor	HP	1
	KW	0.75
Air Delivered	ACFM	3.108
	m ³ /min	0.088
Pressure	PSI	101.50
	Bar	7
Rpm	530	
Cylinders	2	
Bore	inch	2.559
	mm	65
Stroke	inch	1.732
	mm	44
Flywheel dia.	inch	10.512
	mm	267
Groove Type	A	

MODEL GS12 Single Stage Air Compressor Pump

(SINO-USA)
DAFENG LIDA COMPRESSED AIR SYSTEMS CO., LTD



MODEL GS12 Single Stage Air Compressor Pump

(SINO-USA)

DAFENG LIDA COMPRESSED AIR SYSTEMS CO., LTD

GS12 PARTS			
ITEM	PARTS#	DESCRIPTION	QIY
1	121001	CRANKCASE GS12	1
2	121002	CRANKSHAFT GS12	1
3	121003	FLYWHEEL GS12	1
4	121004	CYLINDER GS12	2
5	121005	HEAD GS12	2
6	121006	CAP-REAR GS12	1
7	121101	CASKET-REAR CAP GS12	1(*a)
8	121102	BREATHER-CRANKCASE GS12	1
9	121103	CAPSCREW-HEX M8X20	8
10	121104	LOCKWASHER Φ 8	25
11	121105	OIL SIGHT GLASS GS12	1
12	121106	OIL DRAIN PIPE CAP GS12	1
13	121107	OIL DRAIN PIPE GS12	1
14	121108	COPPER ELBOW GS12	1
15	121109	TEE GS12	1
16	121110	BEARING GS12	2
17	121111	CASKET-FRONT CAP GS12	1(*a)
18	121112	CAP-FRONT GS12	1
19	121113	CYLINDER KEY GS12	1
20	121114	SEAL-SHAFT GS12	1
21	121115	SPACER-FLYWHEEL GS12	1
22	121116	CAPSCREW-HEX M8X35	1
23	121117	OIL PLUG GS12	1
24	121118	GASKET-CYLINDER TO CRANKCASE GS12	2(*a)
25	121119	GASKET-CYLINDER HEAD GS12	2(*a)
26	121120	FILTER-INLET ASSEMBLY GS12	2
27	121121	FILTER-REPLACEMENT ELEMENT GS12	2
28	121122	CAPSCREW-HEX M8X25	16
29	121123	ELBOW GS12	1
30	121124	NUT-COMPRESSION GS12	2
31	121125	INTERCOOLER TUBE GS12	1
32	121126	SCREW M5X10	2
33	121127	LOCKWASHER Φ 5	2
34	121128	DIPPER-OIL GS12	2
35	121130	INSERT HALF GS12	4
36	121131	CONNECTING ROD GS12	2
37	121132	SNAP RING-INTERNAL ϕ 16	4
38	121133	WRIST PIN-PISTON GS12	2

MODEL GS12 Single Stage Air Compressor Pump

