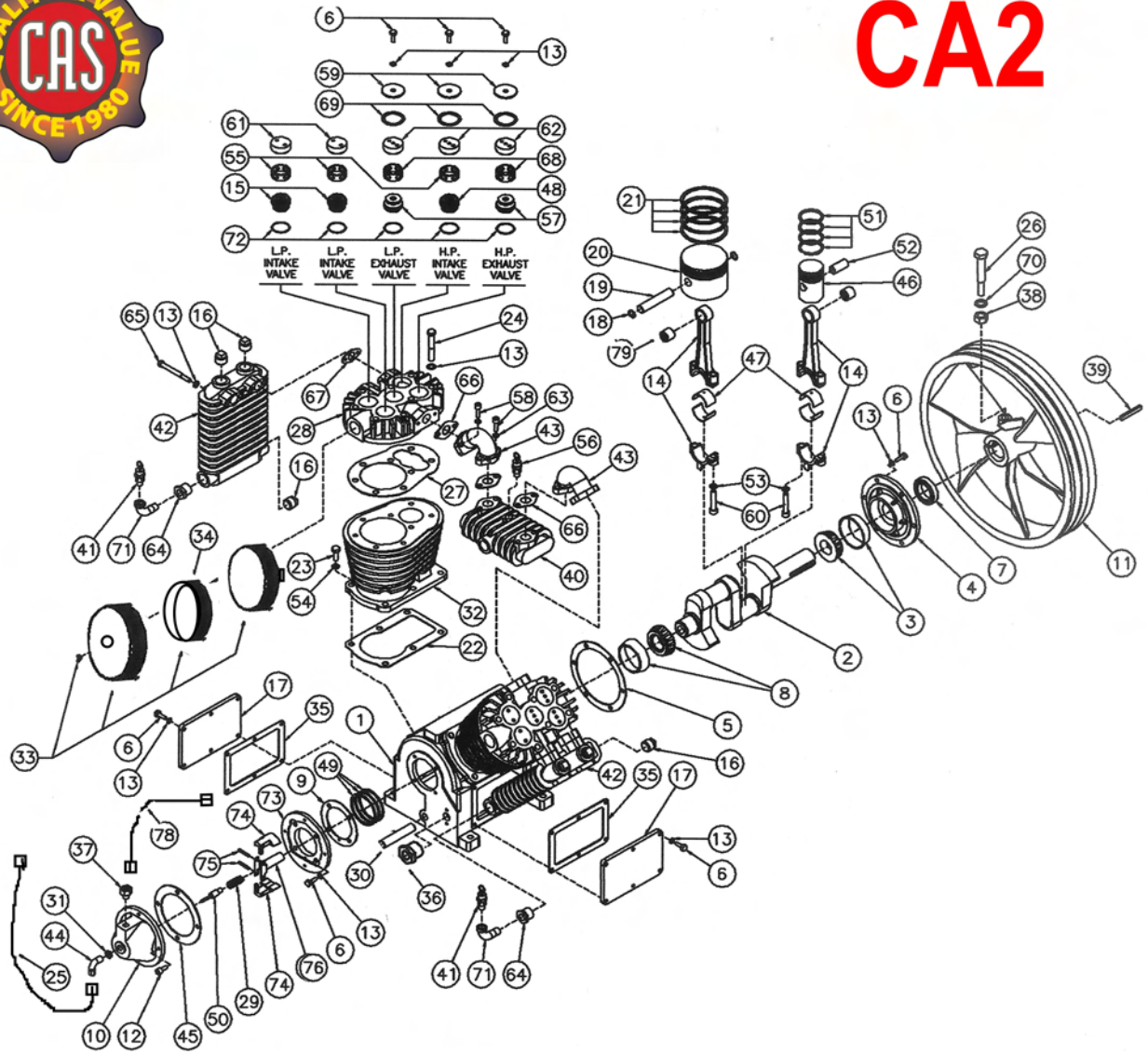




# CA2



Item	Cas #	Part	Description	QTY		Item	Cas #	Part	Description	QTY
1	049-0027	708000	Crankcase	1		42	082-0012	706000	Intercooler	2
2	053-0051	709000	Crankshaft	1		43	083-0009	706002	Elbow Aftercooler	2
3	051-0053	050170	Bearing Cone Front w/ Cap	1		44	031-0057	704000	Elbow Valve and Unloader	1
4	045-0044	701000	Cap Front Bearing	1		45	046-0171	070166	Gasket Unloader Cover	1
5	046-0168	070163	Gasket Front Cap	1		46	048-0055	720002	Piston-HP	2
6	059-0166	110117	Capscrew Hex M8X20	24		47	051-0055	050122	Insert Rod-Bearing Half	8
7	046-0179	060068	Seal -Shaft	1		48	043-0100	727001	Valve Assembly-HP Inlet	2
8	051-0054	050172	Bearing Cone Rear w/ Cap	1		49	046-0177	090095	Shim .015 Brg Adjustment	0
9	046-0227	070172	Gasket Rear Cap	1		49	046-0176	090094	Shim .010 Brg Adjustment	0
10	077-0071	728004	Centrifugal Unloader Adapter Plate	1		49	046-0175	090093	Shim .005 Brg Adjustment	0
11	044-0037	713009	Flywheel 19.5"	1		50	078-0011	728003	Plunge Unloader	1
12	059-0156	110104	Capscrew Skt HD M6X20	4		51	054-0127	719088	Set HP Piston Rings	2
13	060-0061	070201	Gasket Copper	24		52	052-0028	729006	Wristpin HP Piston	2
14	047-0054	705000	Rod Connecting	4		53	060-0072	130060	Lockwasher 10	4
15	043-0098	727000	Valve Assembly-LP Inlet	4		54	060-0063	070203	Gasket Copper	12
16	062-0006	160004	Pipeplug	4		55	043-0094	727003	Spacer Inlet Valve	6
17	077-0069	020146	Cover Crankcase Side	2		56	136-0007	722007	Valve Safety 200 PSI ASME	1
18	054-0119	200100	Snapping Internal	8		57	043-0100	727002	Valve Assy HP/LP Discharge	4
19	052-0027	729000	Wristpin- LP Piston	2		58	059-0158	110106	Capscrew SKT Head M8X25	4
20	048-0054	720000	Piston LP 105mm	2		59	077-0073	727136	Cover Valve	6
21	054-0126	719064	Piston Ring Set LP	2		60	059-0154	110102	Capscrew SKT Head M10x25	6
22	046-0167	070162	Gasket Cylinder To Crankcase	2		61	058-0082	727134	Retainer Inlet Valve	4
23	059-0159	110107	Capscrew Hex M10X25	12		62	058-0083	727135	Retainer Discharge Valve	6
24	059-0167	110111	Capscrew Hex M12x70	16		63	060-0070	130058	Lockwasher 8	8
25	042-0005	150018	Bleeder line with fittings	1		64	063-0006	160002	Bushing Reducing	2
26	059-0163	110108	Capscrew Hex M16x80	1		65	059-0157	110105	Capscrew Hex M8X85	4
27	046-0166	070161	Gasket Cylinder Head	2		66	046-0172	070167	Gasket Aftercooler	4
28	042-0055	710000	Head Cylinder	2		67	046-0173	070169	Gasket Intercooler	4
29	055-0051	723003	Spring Unloader	1		68	043-0095	727004	Spacer Discharge Valve	4
30	062-0004	160005	Oil Drain Tube	1		69	046-0174	070170	Gasket Valve Cover	6
31	058-0084	120058	Nut Adjustment Lock	1		70	060-0069	130057	Lockwasher 16	1
32	050-0030	711000	Cylinder	2		71	064-0022	160003	Elbow Street	2
33	019-0097	712000	Filter Inlet Assembly	2		72	060-0062	070202	Copper Valve Seat Gasket	10
34	019-0097	712114	Filter Inlet Element	2		73	077-0070	701029	Cap Rear	1
35	046-0169	070164	Gasket Side Cover	2		74	096-0009	728000	Weight Unloader	2
36	032-0031	731004	Sight Glass 1" NPT	1		75	107-0015	100100	Pin- Hinge	2
37	056-0018	703007	Breather tube adaptor	1		76	114-0012	728002	Holder Unloader	1
38	058-0086	120060	Nut Hex-M16	1		77	046-0185	070246	Gasket Set	1
39	146-0015	080029	Key Flywheel	1		78	042-0010	15017-CA2	Crank case vent line	1
40	082-0014	706004	Aftercooler	1		79	051-1999	511999	needle bearing wrist pin	4
41	136-0032	722006	Valve Safety 70 PSI ASME	2						