



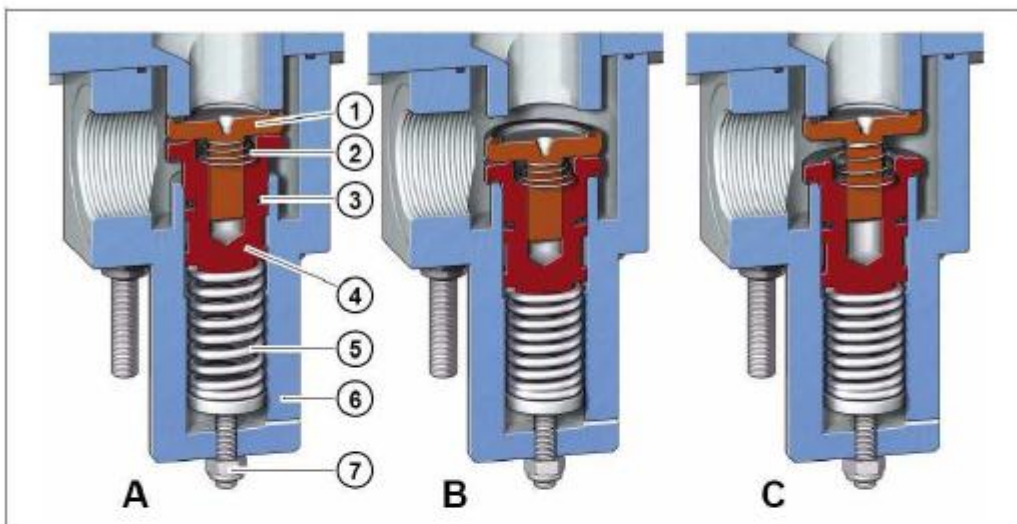
# Compressed Air Systems



## CAS Minimum Pressure Valve

972-352-6304/800-531-9656

### ▶ Minimum pressure valve



- A** Minimum pressure valve closed
- B** Minimum pressure valve open
- C** Minimum pressure valve open, check valve closed

- 1. Check valve disc
- 2. Check valve spring
- 3. O-ring
- 4. Pressure retention valve piston
- 5. Pressure retention valve spring
- 6. Housing
- 7. Adjustment screw/lock nut

The minimum pressure valve prevents a pressure drop below the adjusted value of appr. 5,5 bar/80 psi.

This pressure is necessary to ensure a sufficient oil supply and is a precondition for good oil separation.